

CAL 480

CHASSIS
MANICO
COMANDI
DOTAZIONE VITERIE

DECK
HANDLE
CONTROLS
SCREWS OUTFITS

CHÂSSIS
MANCHERON
COMMANDES
DOTATION VISSERIE

GEHÄUSE
HOLM
BETÄTIGUNGEN
SCRAUBENSATZ

SPARE PARTS CATALOGUE

ERSATZTEILKATALOG

GB

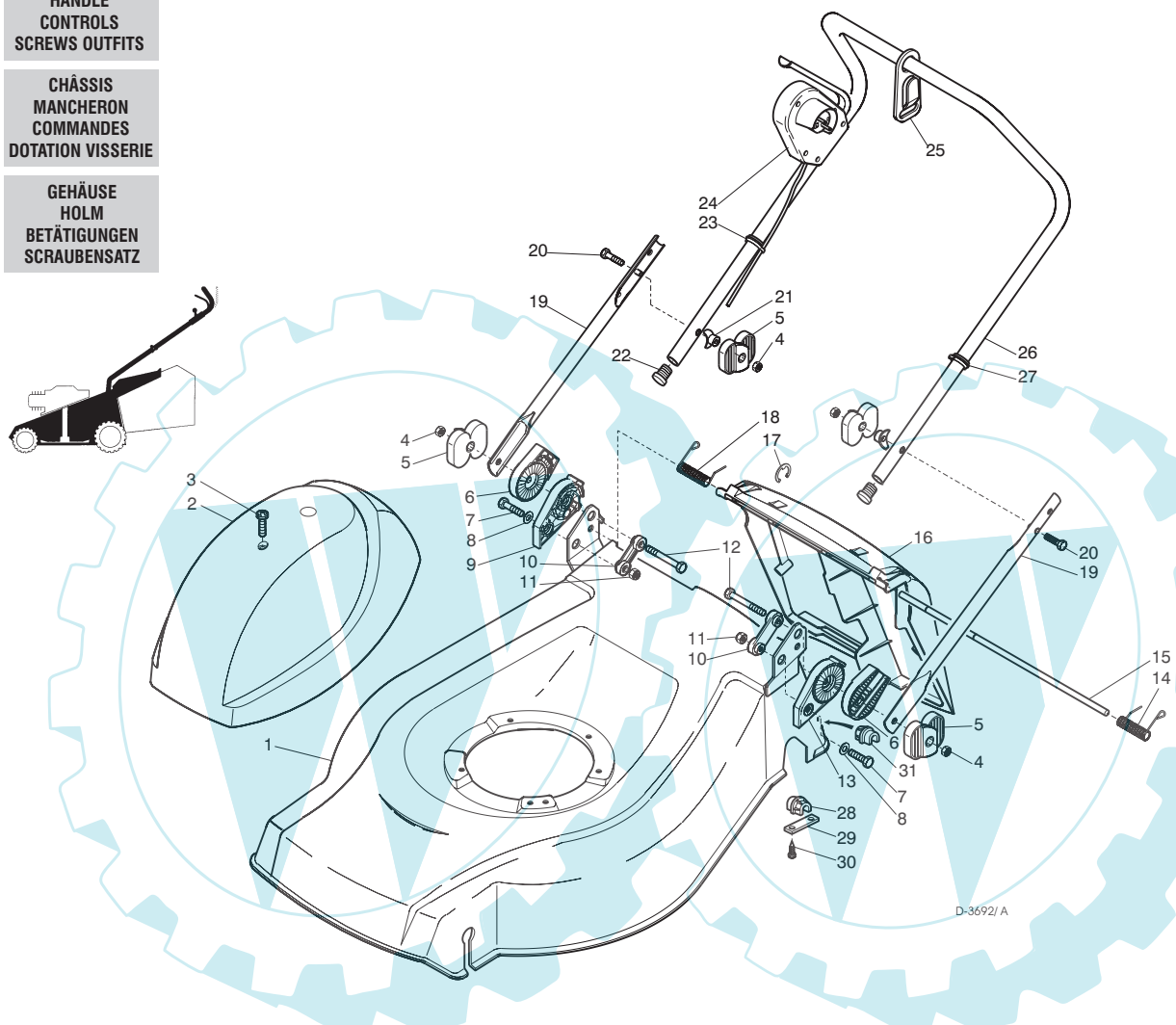
D

CATALOGO DELLE PARTI
DI RICAMBIO

CATALOGUE DES PIÈCES
DE RECHANGE

I

F



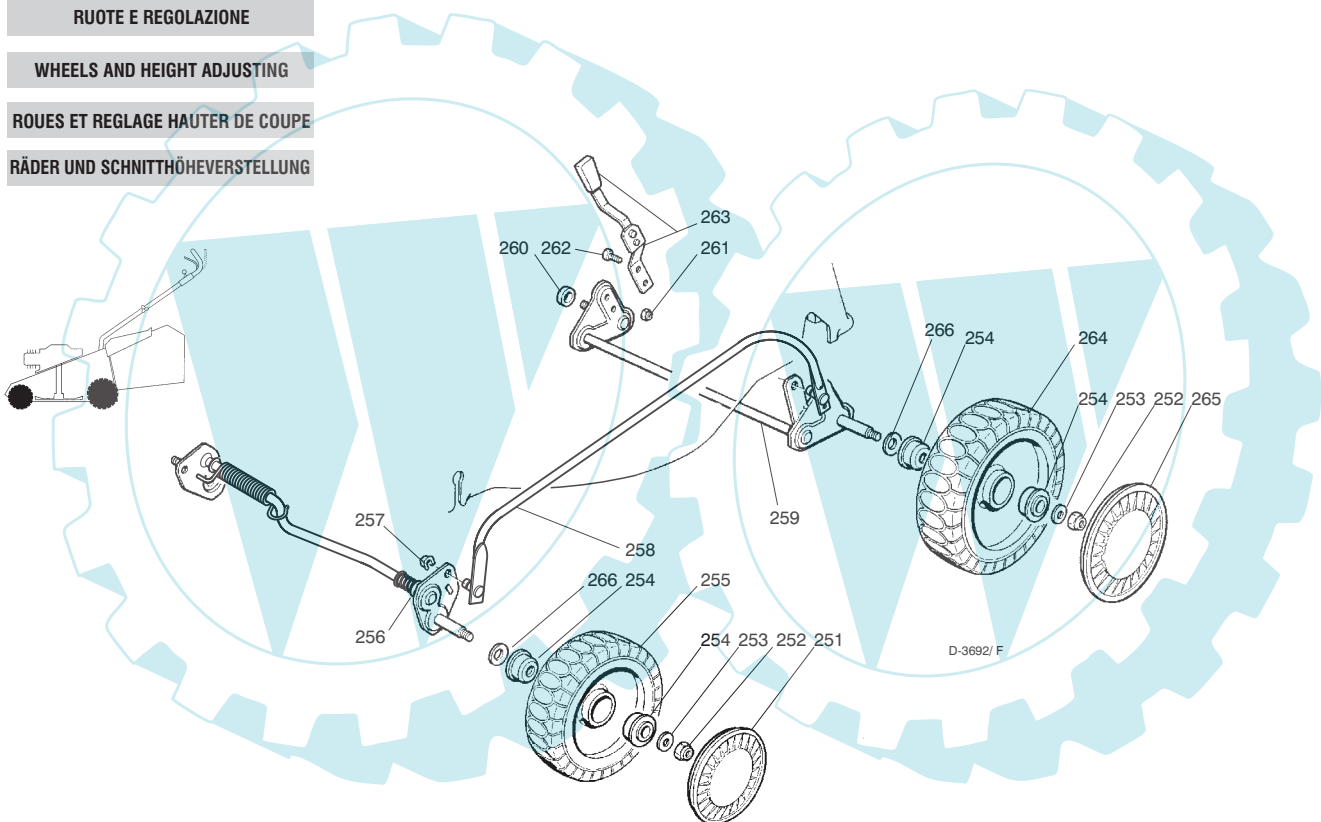
D-3692/ A

T-3692/ A

| Pos. Nr. | Code Code Kodex | Q.tà Q.ty-Q.tè Menge | Descrizione | Description | Description | Beschreibung |
|----------|-----------------|----------------------|---------------------|---------------------|------------------------|-------------------------|
| 1 | | | CHASSIS | DECK | CHÂSSIS | GEHÄUSE |
| — | 81001815/ 0 | 1 | ROSSO | RED | ROUGE | ROTES |
| — | 81001816/ 0 | 1 | GIALLO | YELLOW | JAUNE | GELBES |
| — | 81001817/ 0 | 1 | VERDE | GREEN | VERT | GRÜNES |
| — | 81001847/ 0 | 1 | ARANCIONE | ORANGE | GRIS | GRAU |
| 2 | 22055058/ 0 | 1 | CAPOTTINA | COVER | CAPOT | HAUBE |
| 3 | 12728680/ 0 | 2 | VITE | SCREW | VIS | SCHRAUBE |
| 4 | 12293202/ 0 | 4 | DADO | NUT | ECROU | MUTTER |
| 5 | 22399803/ 0 | 4 | MANOPOLINA | KNOB | POIGNÉE | GRIFF |
| 6 | 22785081/ 0 | 2 | SUPPORTO ESTERNO | EXTERNAL SUPPORT | SUPPORT EXTERNE | AUßERE HALTERUNG |
| 7 | 12793701/ 0 | 2 | VITE | SCREW | VIS | SCHRAUBE |
| 8 | 12521350/ 0 | 2 | RONDELLA | WASHER | RONDELLE | SCHIBE |
| 9 | 22785082/ 0 | 1 | SUPPORTO INTERNO DX | R. INTERNAL SUPPORT | SUPPORT INTERNE DROIT | INNERE HALTERUNG RECHTS |
| 10 | 22551575/ 0 | 2 | PIASTRINA INTERNA | INSIDE PLAQUE | PLAQUETTE INTERNE | INNERE PLATTE |
| 11 | 12155000/ 0 | 2 | DADO | NUT | ECROU | MUTTER |
| 12 | 12691810/ 0 | 2 | MANOPOLINA | KNOB | POIGNÉE | GRIFF |
| 13 | 22785083/ 1 | 1 | SUPPORTO INTERNO SX | L. INTERNAL SUPPORT | SUPPORT INTERNE GAUCHE | INNERE HALTERUNG LINKS |
| 14 | 22450420/ 1 | 1 | MOLLA SX | LEFT SPRING | RESSORT GAUCHE | LINKE FEDER |
| 15 | 22517906/ 1 | 1 | PERNO | PIN | PIVOT | BOLZEN |
| 16 | 22600063/ 0 | 1 | PARASASSI | STONE-GUARD | PARE-PIERRES | PRALLBLECH |
| 17 | 12000930/ 0 | 1 | ANELLO ELASTICO | SNAP RING | ANNEAU RESSORT | SPRENGRING |
| 18 | 22450410/ 1 | 1 | MOLLA DX | RIGHT-SPRING | RESSORT DROITE | RECHTE FEDER |
| 19 | 81006975/ 0 | 2 | PARTE INF. MANICO | LOWER HANDLE | PARTIE INF. MANCHERON | UNTERHOLM |
| 20 | 12819125/ 0 | 2 | VITE | SCREW | VIS | SCHRAUBE |

| Pos. Nr. | Codice Code Kodex | Q.tà Q.ty-Q.tè Menge | Descrizione | Description | Description | Beschreibung |
|----------|-------------------|----------------------|---------------------|----------------------|-----------------------|---------------------|
| 21 | 22680006/ 1 | 2 | RONDELLA | WASHER | RONDELLE | SCHEIBE |
| 22 | 18566112/ 0 | 2 | PUNTALE | IN TINE | À L'HEURE | PÜNTLICH |
| 23 | 22192000/ 1 | 1 | FASCETTA ANCORAGGIO | ANCHOR CLAMP | COLLIER ANCRAGE | BOWDENZUGHALTER |
| 24 | 18710628/ 0 | 1 | SALVAMOTORE M.M. | DEAD HAND SWITCH | INT. MAIN MORTE | TOT MANDCHALTER |
| — | 18710604/ 0 | 1 | 10 A 607 MS (1600W) | 10 A 607 MS (1600W) | 10 A 607 MS (1600W) | 10 A 607 MS (1600W) |
| — | 18710572/ 0 | 1 | 10 A 602 MS (1600W) | 10 A 602 MS (1600W) | 10 A 602 MS (1600W) | 10 A 602 MS (1600W) |
| — | 18710572/ 0 | 1 | 10 A 603 MS (1600W) | 10 A 603 MS (1600W) | 10 A 603 MS (1600W) | 10 A 603 MS (1600W) |
| — | 18710572/ 0 | 1 | SOLO PER SVIZZERA | ONLY FOR SWITZERLAND | SEUL POUR LA SUISSE | NUR FÜR SCHWEIZ |
| 25 | 22195101/ 1 | 1 | FERMACAVO | FAIR LEAD | FIXATION CABLE | KABELBEFESTIGUNG |
| 26 | 81007037/ 0 | 1 | PARTE SUP. MANICO | UPPER HANDLE | PARTIE SUP. MANCHERON | OBERHOLM |
| 27 | 22192151/ 0 | 1 | FERMACAVO | FAIR LEAD | FIXATION CABLE | KABELBEFESTIGUNG |
| 28 | 22038403/ 0 | 1 | BRONZINA SINISTRA | LEFT BUSH | DOUILLE GAUCHE | LINKE BUCHSE |
| 29 | 22545142/ 0 | 2 | PIASTRINA | PLATE | PLAQUETTE | PLATTE |
| 30 | 12731350/ 0 | 4 | VITE | SCREW | VIS | SCHRAUBE |
| 31 | 22038402/ 0 | 1 | BRONZINA DESTRA | RIGHT BUSH | DOUILLE DROITE | RECHTE BUCHSRE |
| — | 81008632/ 0 | | DOTAZ. VITERIA | SCREWS OUTFIT | DOTATION VISSERIE | SCHRAUBEN SATZ |

RUOTE E REGOLAZIONE
WHEELS AND HEIGHT ADJUSTING
ROUES ET REGLAGE HAUTER DE COUPE
RÄDER UND SCHNITTHÖHEVERSTELLUNG



T-3692/ F

| | | | | | | |
|-----|-------------|---|-----------------------|---------------------|---------------------|-------------------------|
| 251 | 22110282/ 0 | 2 | COPRIMOZZO | HUB CAP | COUVRE-MOYEU | RADKAPPE |
| — | 22110288/ 0 | 2 | BIANCO | WHITE | BLANC | WEIßE |
| — | 22110290/ 0 | 2 | GIALLO | YELLOW | JAUNE | GELB |
| — | 22110290/ 0 | 2 | ROSSO | RED | ROUGE | ROTE |
| — | 22110300/ 0 | 2 | GRIGIO | GREY | GRIS | GRAU |
| 252 | 12155000/ 0 | 4 | DADO | NUT | ECROU | MUTTER |
| 253 | 12521350/ 0 | 4 | RONDELLA | WASHER | RONDELLE | SCHEIBE |
| 254 | 22122200/ 0 | 8 | CUSCINETTO | BEARING | COUSSINET | KUGELLAGER |
| 255 | 81007317/ 0 | 2 | RUOTA SCOLPITA Ø 170 | KNOBBLY WHEEL Ø 170 | ROUE SCULPTEE Ø 170 | RAD M. STOLLENPR. Ø 170 |
| 256 | 81000141/ 0 | 1 | ASSE RUOTE ANTERIORE | INSIDE PLAQUE | PLAQUETTE INTERNE | INNERE PLATTE |
| 257 | 12436050/ 0 | 2 | PIASTRINA | PLATE | PLAQUETTE | PLATTCHEN |
| 258 | 81006481/ 0 | 1 | ASTA COMANDO | ADJUSTMENT ROD | TIGE COMMANDE | STELLSTAB |
| 259 | 81001278/ 0 | 1 | ASSE RUOTE POSTERIORE | REAR WHEELS AXEL | AXE ROUES ARRIERE | HINTERRADACHSE |
| 260 | 22170800/ 0 | 1 | DISTANZIALE | SPACER | ENTRETOISE | DISTANZRING |
| 261 | 12154330/ 0 | 2 | DADO | NUT | ECROU | MUTTER |
| 262 | 12789000/ 0 | 2 | VITE | SCREW | VIS | SCHRAUBE |
| 263 | 81003283/ 1 | 1 | LEVA REGOLAZIONE | ADJUSTMENT LEVER | LEVIER REGLAGE | VERSTELLUNGHEBEL |
| 264 | 81007318/ 1 | 2 | RUOTA SCOLPITA Ø 210 | KNOBBLY WHEEL Ø 210 | ROUE SCULPTEE Ø 210 | RAD M. STOLLENPR. Ø 210 |
| 265 | 22110281/ 0 | 2 | COPRIMOZZO | HUB CAP | COUVRE-MOYEU | RADKAPPE |
| — | 22110287/ 0 | 2 | BIANCO | WHITE | BLANC | WEIßE |
| — | 22110287/ 0 | 2 | GIALLO | YELLOW | JAUNE | GELB |
| — | 22110289/ 0 | 2 | ROSSO | RED | ROUGE | ROTE |
| — | 22110301/ 0 | 2 | GRIGIO | GREY | GRIS | GRAU |
| 266 | 12530150/ 0 | 4 | RONDELLA | WASHER | RONDELLE | SCHEIBE |

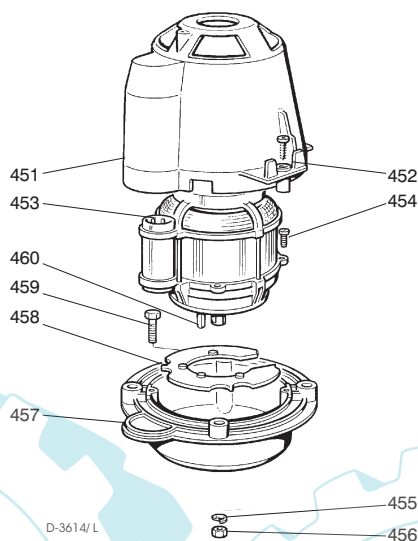
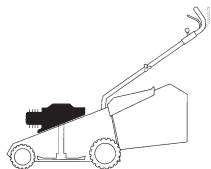
| Pos. Nr. | Codice Code Kodex | Q.tà Q.ty-Q.tè Menge | Descrizione | Description | Description | Beschreibung |
|----------|-------------------|----------------------|-------------|-------------|-------------|--------------|
|----------|-------------------|----------------------|-------------|-------------|-------------|--------------|

GRUPPO MOTORE ELETTRICO

MOTOR ASS.Y

MOTEUR ELECTRIQUE

ELEKTROMOTOR



T-3614/ L

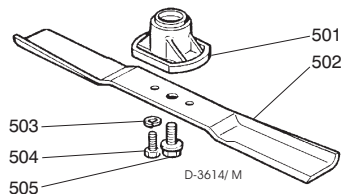
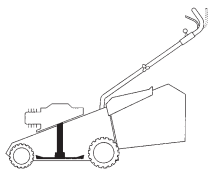
| | | | | | | |
|--------|-------------|---|----------------------|--------------------|--------------------|--------------------|
| 451 | 22785061/ 0 | 1 | SUPPORTO CAPOTTINA | COVER SUPPORT | SUPPORT CAPOT | HAUBEHALTER |
| 452 | 12728710/ 0 | 4 | VITE | SCREW | VIS | SCHRAUBE |
| 453 | | | MOTORE | MOTOR | MOTEUR | MOTOR |
| — | 18563061/ 2 | 1 | IBMEI 1600W (230V) | IBMEI 1600W (230V) | IBMEI 1600W (230V) | IBMEI 1600W (230V) |
| — | 18563009/ 0 | 1 | RST 1600W (230V) | RST 1600W (230V) | RST 1600W (230V) | RST 1600W (230V) |
| — | 18563047/ 2 | 1 | IBMEI 1600W (240V) | IBMEI 1600W (240V) | IBMEI 1600W (240V) | IBMEI 1600W (240V) |
| (453A) | | | VENTOLA | FAN | VENTILATEUR | LÜFTER |
| — | 18740049/ 0 | 1 | PER MOTORE IBMEI | IBMEI MOTOR | MOTEUR IBMEI | IBMEI MOTOR |
| — | 18740051/ 0 | 1 | PER MOTORE RST | RST MOTOR | MOTEUR RST | RST MOTOR |
| (453B) | 18222038/ 0 | | CONDENSATORE 20 µF | CONDENSER 20 µF | CONDENSEUR 20 µF | KONDENSATOR 20 µF |
| 454 | 12735410/ 0 | 4 | VITE | SCREW | VIS | SCHRAUBE |
| 455 | 12583500/ 0 | 4 | GROWER | GROWER | GROWER | FEDERRING |
| 456 | 12293200/ 0 | 4 | DADO | NUT | ECROU | MUTTER |
| 457 | 22207211/ 3 | 1 | FLANGIA | FLANGE | BRIDE | FLANSCH |
| 458 | 22720360/ 1 | 1 | SCHERMO VENTILAZIONE | VENTILATION SCREEN | ECRAN VENTILATION | LÜFTUNGSSCHIRM |
| 459 | 12793700/ 0 | 4 | VITE | SCREW | VIS | SCHRAUBE |
| 460 | 12139440/ 0 | 1 | LINGUETTA | FEATHER | CLAVETTE | KEIL |

GRUPPO COLTELLO

BLADE ASS.Y

GROUPE LAME

MESSERSATZ

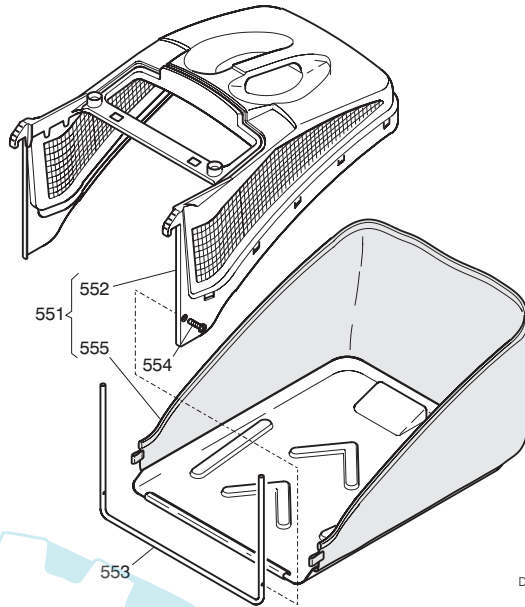
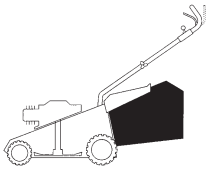


T-3689/ M

| | | | | | | |
|-----|-------------|---|--------------------------|-----------------------|----------------------|------------------------|
| 501 | 22463186/ 2 | 1 | MOZZO | HUB | MOYEU | NABE |
| 502 | 81004346/ 2 | 1 | COLTELLO STANDARD 46 cm. | STANDARD BLADE 46 cm. | LAME STANDARD 46 cm. | STANDARD MESSER 46 cm. |
| — | 81004397/ 0 | 1 | COLTELLO ALETTATO 46 cm. | WINGED BLADE 46 cm. | LAME AILETTÉE 46 cm. | FLÜGELMESSER 46 cm. |
| 503 | 12583500/ 0 | 2 | GROWER | GROWER | GROWER | FEDERRING |
| 504 | 12793101/ 0 | 2 | VITE | SCREW | VIS | SCHRAUBE |
| 505 | 81004352/ 0 | 1 | VITE | SCREW | VIS | SCHRAUBE |

| Pos. Nr. | Codice Code Kodex | Q.tà Q.ty-Q.tè Menge | Descrizione | Description | Description | Beschreibung |
|----------|-------------------|----------------------|-------------|-------------|-------------|--------------|
|----------|-------------------|----------------------|-------------|-------------|-------------|--------------|

- SACCO RACCOGLIERBA**
- GRASS-CATCHER**
- BAC DE RAMASSAGE**
- GRASFANGKORB**



| | | | | | | | |
|----------|-----|------------|---|------------------|---------------------|------------------------|-----------------|
| T-3689/N | 551 | 91000010/0 | 1 | SACCO COMPLETO | COMPLETE GRASS-BOX | SAC COMPLET | KOMPLETTER KORB |
| | 552 | 22486086/0 | 1 | PARTE SUP. SACCO | UPPER GRASS BOX | PARTIE SUP. SAC | OBERKORB |
| | 553 | 22608523/1 | 1 | RINFORZO INF. | DOLON REINFORCEMENT | RÉNFORCEMENT INFÉRIEUR | UNTER STÜTZ |
| | 554 | 12728445/0 | 1 | VITE | SCREW | VIS | SCHRAUBE |
| | 555 | 81002180/0 | 1 | TELA SACCO | FABRIC BOX | TOILE POUR SAC | TUCK FÜR SACK |